

DESCRIPTION

Metal Lever Handle
 9-1/8" Reach, 7-3/8" High Spout
 Ceramic Disc Cartridge with Temperature Limit
 Stainless Steel Flex Connector Lines
 2 or 4-Hole Installation
 Fits 8" Center
 8" Deck Cover Plate or Decorative Escutcheon
 Optional Side Spray Assembly

FLOW

1.25 GPM

STANDARDS

ASME A112.18.1M
 ANSI / NSF 61, SECTION 9
 IAPMO LISTED
 cUPC APPROVED
 ADA COMPLIANT

PRODUCT NUMBERS

- #SSI-886000 With 8" Deck Cover Plate
- #SSI-886010 With 8" Deck Cover Plate & Side Spray Assembly
- #SSI-886100 With Decorative Escutcheon
- #SSI-886110 With Decorative Escutcheon & Side Spray Assembly

FINISHES

- PC PVD Polished Chrome
- SS PVD Stainless Steel

PREMIUM SERIES KITCHEN FAUCET



W/ DECORATIVE ESCUTCHEON



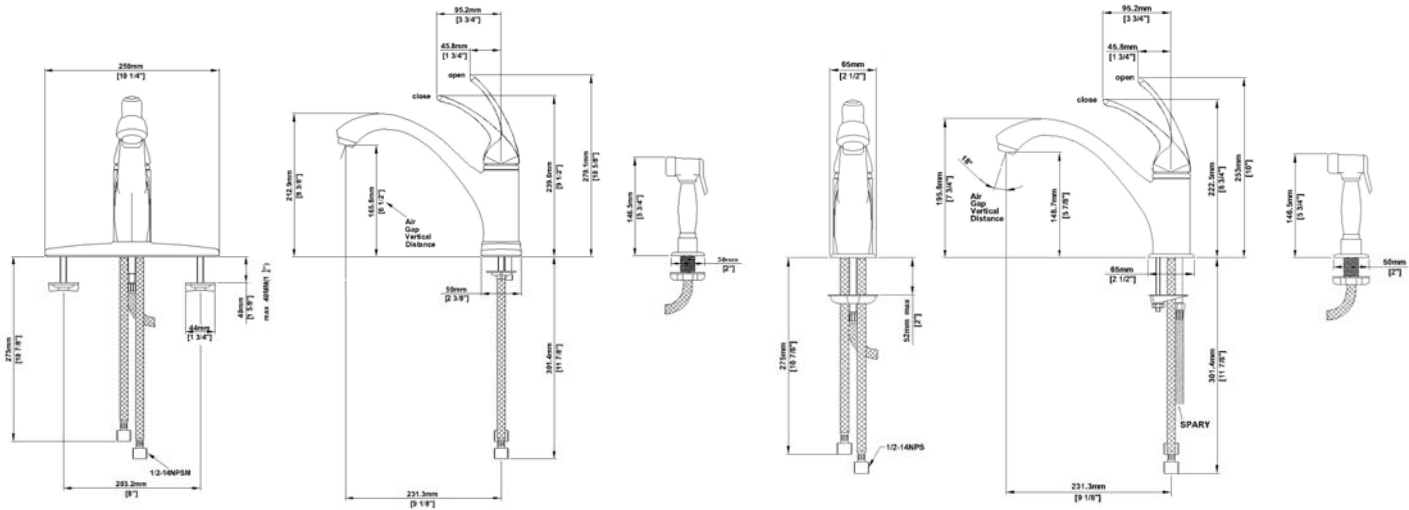
Model #: _____

Specific Features: _____

Project Name: _____

Submitted For: _____

Date: _____



WITH 8" DECK PLATE

WITH DECORATIVE ESCUTCHEON